

Hbfis

2 axle High Capacity
Sliding Wall Wagon



General Characteristics

Loading length (m)	13.938
Loading width (m)	2.62
Loading area (m2)	36.4
Loading capacity (m3)	84.7
Length of door openings (m)	6.819
Height of door openings (m)	2.4
Platform height (m)	1.23
Tare weight (t)	16.5



Equipment

2 sliding walls per wagon side - access to complete floor area from both sides
Fixing points along both sides for loading security purposes

Loading

Load limits

Payload	A	B	C	D	
S	15.5	19.5	24.5	28.5	**

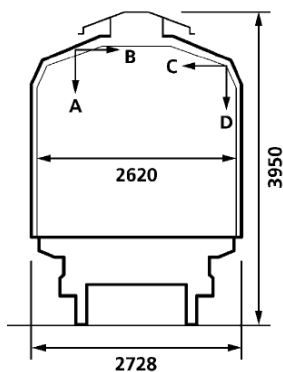
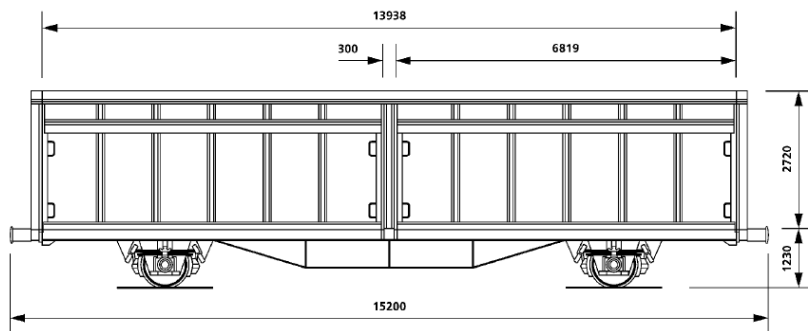
34 euro pallets (0.8m x 1.2m)

Payload (axle load 20.5t) 24.5tonnes

Payload (axle load 22.5t) 28.5 tonnes

Wheel pressure on floor board 5 tonnes maximum

Diagram : Hbfis



Minimum curve 75 metres
Maximum speed 100 kph

Measurements in wall area (A - B)	
Height above wagon floor (mm)	Loading width (mm)
2.003	2.620
2.053	2.562
2.103	2.510
2.156	2.460
2.206	2.165
2.256	1.870
2.306	1.575
2.356	1.280
2.400	1.026
2.400	652

Measurements in roof support area (C - D)	
Height above wagon floor (mm)	Loading width (mm)
1.890	2.614
1.940	2.536
1.990	2.458
2.040	2.380
2.092	2.300
2.142	1.932
2.192	1.564
2.242	1.196
2.297	770
2.347	712
2.400	652